

REN Bathroom Light

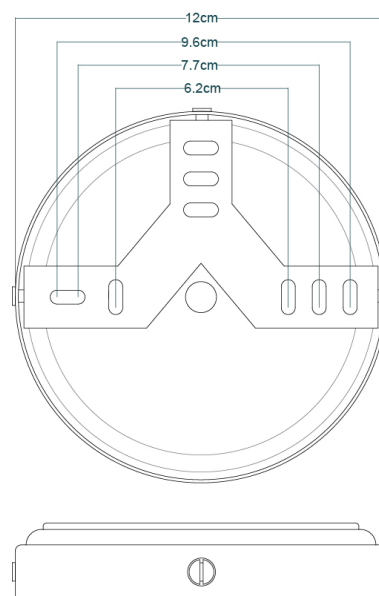
MLBWL061ANTBRS

Antique Brass



MATERIAL	Brass Aluminium Glass
HEIGHT	32cm 12.6"
WIDTH DIAMETER	16cm 6.3"
LENGTH PROJECTION	35cm 13.78"
WEIGHT	0.88kg 1.94lb
LAMPHOLDER	E27
MAX WATTAGE	6.5W
VOLTAGE	220/240v
IP RATING	IP65
CLASS PROTECTION	2
SHADE	GLWP01
FLEX BAR CHAIN LENGT	n/a
CABLE TYPE	

FIXING BRACKET MLWB09 | Antique Brass



www.mullanlighting.com

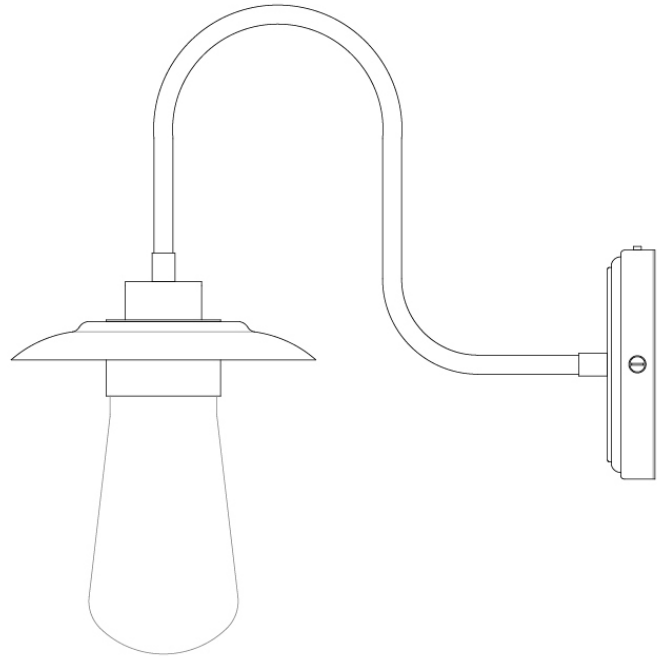
Product Notes:
 1) Lamps not included with light fixture. 2) All products are individually hand crafted, therefore may differ slightly within manufacturing tolerances. 3) Please refer to: <http://www.mullanlighting.com/terms> for full list of Terms & Conditions. 4) Cable/Chain can be shortened during installation. 5) Longer Cable/Chain available on request. 6) Additional colour finishes available on request. 7.) Dimensions do not include lamps. 8.) Products wired to UL standards will operate at 110/120v with the appropriate lampholders.



REN Bathroom Light

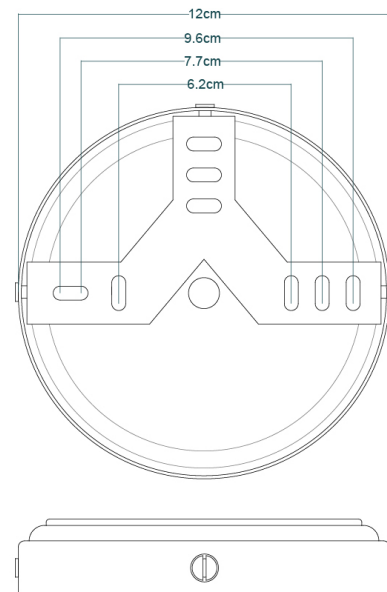
MLBWL061ANTSLV

Antique Silver



MATERIAL	Brass Aluminium Glass
HEIGHT	32cm 12.6"
WIDTH DIAMETER	16cm 6.3"
LENGTH PROJECTION	35cm 13.78"
WEIGHT	0.88kg 1.94lb
LAMPHOLDER	E27
MAX WATTAGE	6.5W
VOLTAGE	220/240v
IP RATING	IP65
CLASS PROTECTION	2
SHADE	GLWP01
FLEX BAR CHAIN LENGT	n/a
CABLE TYPE	

FIXING BRACKET MLWB09 | Antique Silver

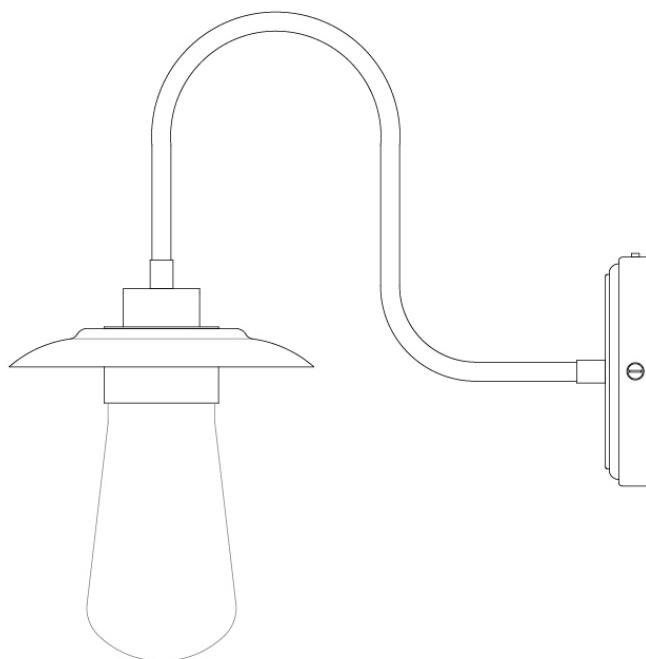


www.mullanlighting.com

Product Notes:

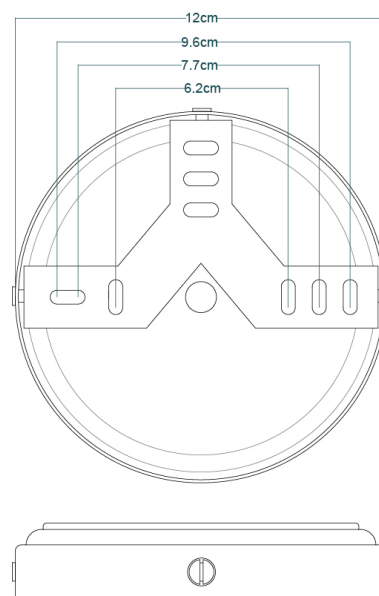
1) Lamps not included with light fixture. 2) All products are individually hand crafted, therefore may differ slightly within manufacturing tolerances. 3) Please refer to: <http://www.mullanlighting.com/terms> for full list of Terms & Conditions. 4) Cable/Chain can be shortened during installation. 5) Longer Cable/Chain available on request. 6) Additional colour finishes available on request. 7.) Dimensions do not include lamps. 8.) Products wired to UL standards will operate at 110/120v with the appropriate lampholders.





MATERIAL	Brass Aluminium Glass
HEIGHT	32cm 12.6"
WIDTH DIAMETER	16cm 6.3"
LENGTH PROJECTION	35cm 13.78"
WEIGHT	0.88kg 1.94lb
LAMPHOLDER	E27
MAX WATTAGE	6.5W
VOLTAGE	220/240v
IP RATING	IP65
CLASS PROTECTION	2
SHADE	GLWP01
FLEX BAR CHAIN LENGT	n/a
CABLE TYPE	

FIXING BRACKET MLWB09 | Natural Brass



Product Notes:

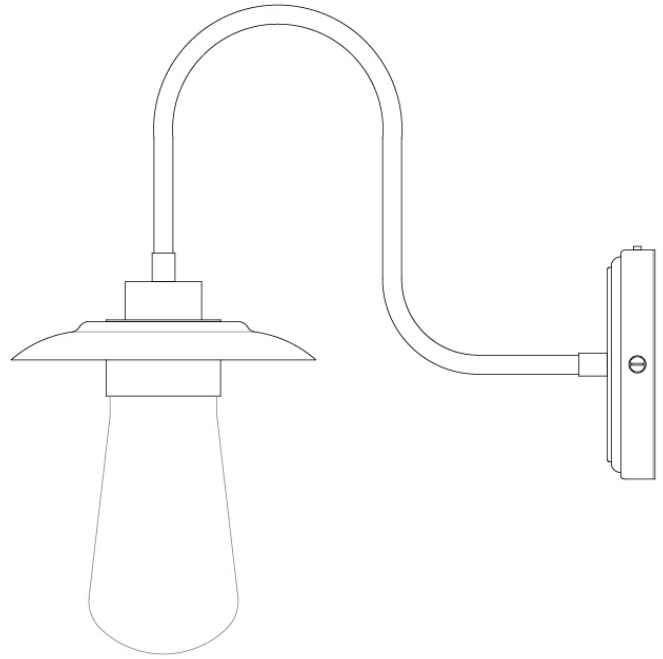
1) Lamps not included with light fixture. 2) All products are individually hand crafted, therefore may differ slightly within manufacturing tolerances. 3) Please refer to: <http://www.mullanlighting.com/terms> for full list of Terms & Conditions. 4) Cable/Chain can be shortened during installation. 5) Longer Cable/Chain available on request. 6) Additional colour finishes available on request. 7.) Dimensions do not include lamps. 8.) Products wired to UL standards will operate at 110/120v with the appropriate lampholders.



REN Bathroom Light

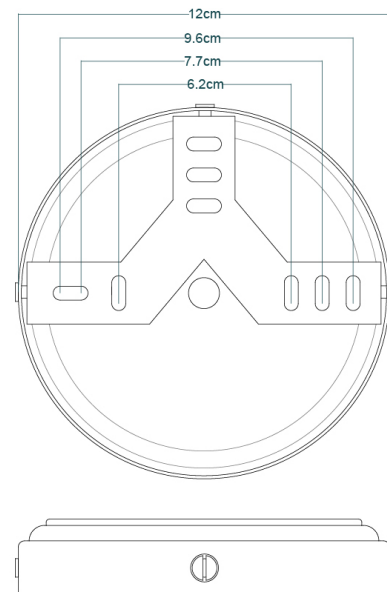
MLBWL061PCMBK

Matt Black



MATERIAL	Brass Aluminium Glass
HEIGHT	32cm 12.6"
WIDTH DIAMETER	16cm 6.3"
LENGTH PROJECTION	35cm 13.78"
WEIGHT	0.88kg 1.94lb
LAMPHOLDER	E27
MAX WATTAGE	6.5W
VOLTAGE	220/240v
IP RATING	IP65
CLASS PROTECTION	2
SHADE	GLWP01
FLEX BAR CHAIN LENGT	n/a
CABLE TYPE	

FIXING BRACKET MLWB09 | Matt Black



www.mullanlighting.com

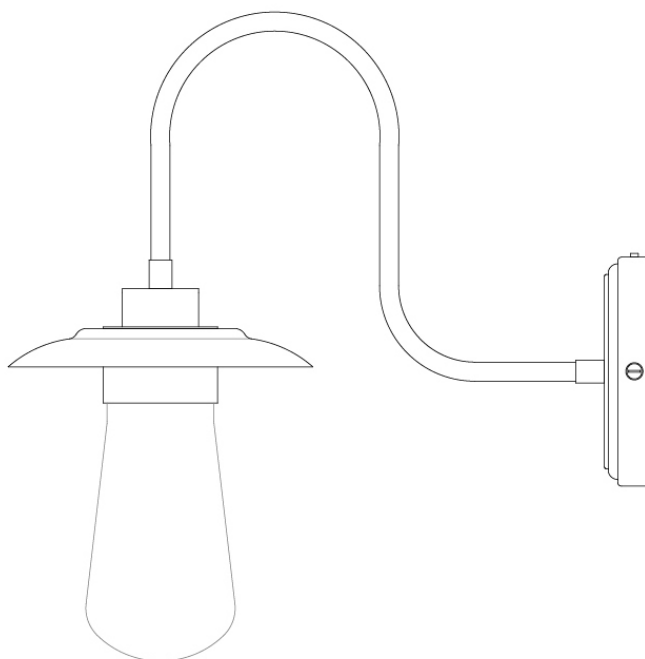
Product Notes:
 1) Lamps not included with light fixture. 2) All products are individually hand crafted, therefore may differ slightly within manufacturing tolerances. 3) Please refer to: <http://www.mullanlighting.com/terms> for full list of Terms & Conditions. 4) Cable/Chain can be shortened during installation. 5) Longer Cable/Chain available on request. 6) Additional colour finishes available on request. 7.) Dimensions do not include lamps. 8.) Products wired to UL standards will operate at 110/120v with the appropriate lampholders.



REN Bathroom Light

MLBWL061PCWTE

White



MATERIAL Brass | Aluminium | Glass

HEIGHT 32cm | 12.6"

WIDTH | DIAMETER 16cm | 6.3"

LENGTH | PROJECTION 35cm | 13.78"

WEIGHT 0.88kg | 1.94lb

LAMPHOLDER E27

MAX WATTAGE 6.5W

VOLTAGE 220/240v

IP RATING IP65

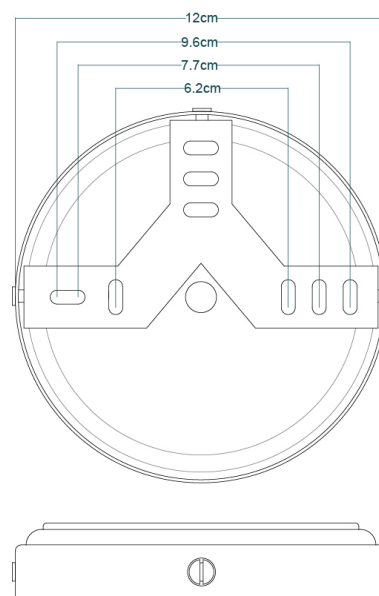
CLASS PROTECTION 2

SHADE GLWP01

FLEX | BAR | CHAIN LENGT n/a

CABLE TYPE

FIXING BRACKET MLWB09 | White

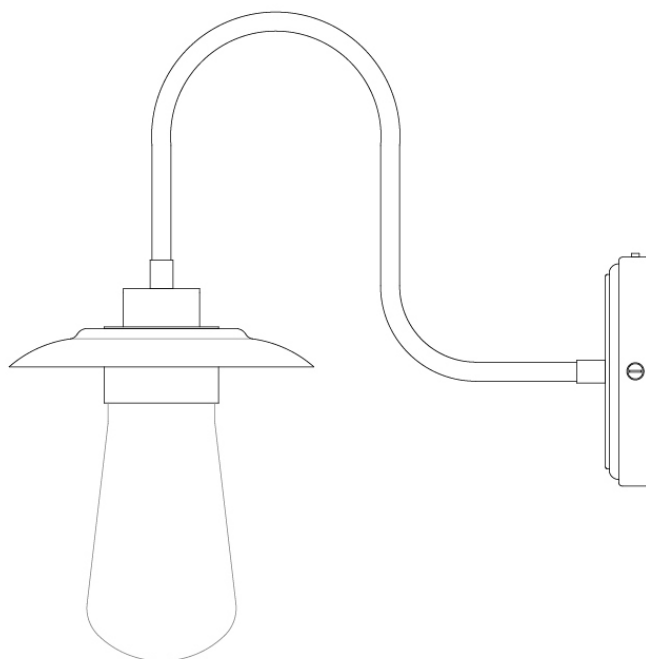


www.mullanlighting.com

Product Notes:

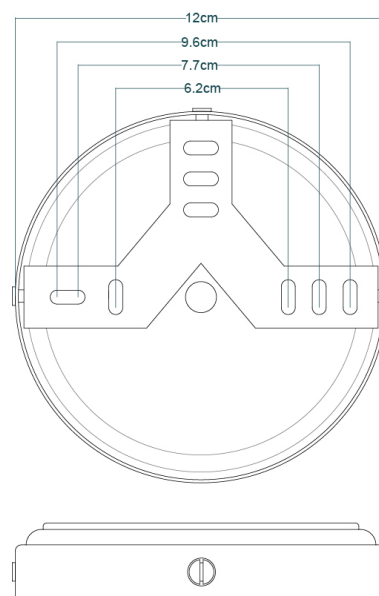
1) Lamps not included with light fixture. 2) All products are individually hand crafted, therefore may differ slightly within manufacturing tolerances. 3) Please refer to: <http://www.mullanlighting.com/terms> for full list of Terms & Conditions. 4) Cable/Chain can be shortened during installation. 5) Longer Cable/Chain available on request. 6) Additional colour finishes available on request. 7.) Dimensions do not include lamps. 8.) Products wired to UL standards will operate at 110/120v with the appropriate lampholders.





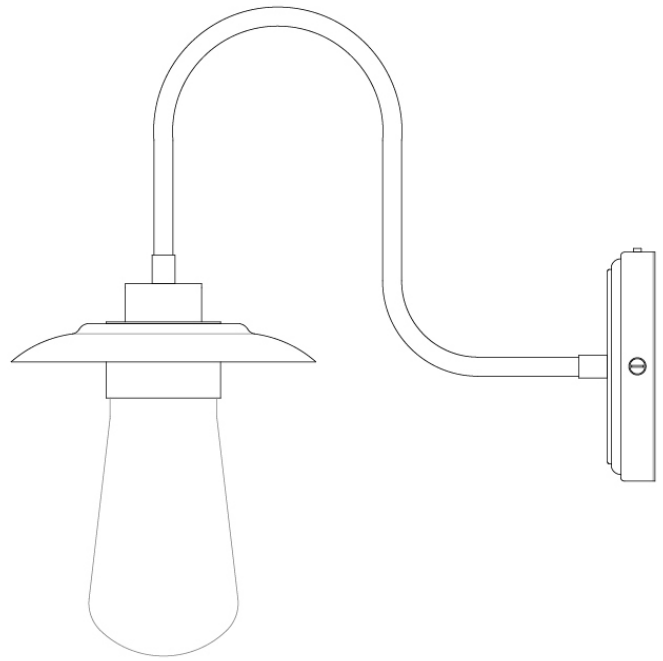
MATERIAL	Brass Aluminium Glass
HEIGHT	32cm 12.6"
WIDTH DIAMETER	16cm 6.3"
LENGTH PROJECTION	35cm 13.78"
WEIGHT	0.88kg 1.94lb
LAMPHOLDER	E27
MAX WATTAGE	6.5W
VOLTAGE	220/240v
IP RATING	IP65
CLASS PROTECTION	2
SHADE	GLWP01
FLEX BAR CHAIN LENGT	n/a
CABLE TYPE	

FIXING BRACKET MLWB09 | Polished Brass



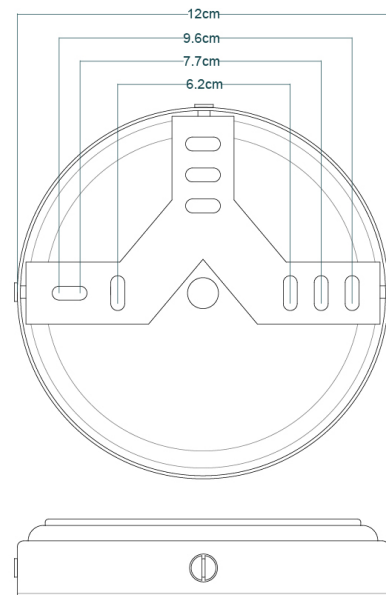
Product Notes:
 1) Lamps not included with light fixture. 2) All products are individually hand crafted, therefore may differ slightly within manufacturing tolerances. 3) Please refer to: <http://www.mullanlighting.com/terms> for full list of Terms & Conditions. 4) Cable/Chain can be shortened during installation. 5) Longer Cable/Chain available on request. 6) Additional colour finishes available on request. 7.) Dimensions do not include lamps. 8.) Products wired to UL standards will operate at 110/120v with the appropriate lampholders.





MATERIAL	Brass Aluminium Glass
HEIGHT	32cm 12.6"
WIDTH DIAMETER	16cm 6.3"
LENGTH PROJECTION	35cm 13.78"
WEIGHT	0.88kg 1.94lb
LAMPHOLDER	E27
MAX WATTAGE	6.5W
VOLTAGE	220/240v
IP RATING	IP65
CLASS PROTECTION	2
SHADE	GLWP01
FLEX BAR CHAIN LENGT	n/a
CABLE TYPE	

FIXING BRACKET MLWB09 | Satin Brass



Product Notes:

1) Lamps not included with light fixture. 2) All products are individually hand crafted, therefore may differ slightly within manufacturing tolerances. 3) Please refer to: <http://www.mullanlighting.com/terms> for full list of Terms & Conditions. 4) Cable/Chain can be shortened during installation. 5) Longer Cable/Chain available on request. 6) Additional colour finishes available on request. 7.) Dimensions do not include lamps. 8.) Products wired to UL standards will operate at 110/120v with the appropriate lampholders.

