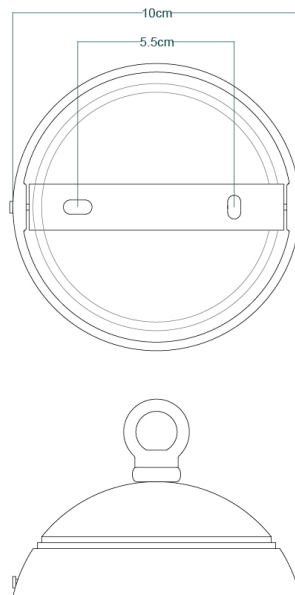




MATERIAL	Aluminium
HEIGHT	22.5cm 8.86"
WIDTH DIAMETER	53cm 20.87"
LENGTH PROJECTION	n/a
WEIGHT	1.9kg 4.19lb
LAMPHOLDER	E27
MAX WATTAGE	60W
VOLTAGE	220/240v
IP RATING	IP20
CLASS PROTECTION	1
SHADE	n/a
FLEX BAR CHAIN LENGTH	100cm 40"
CABLE TYPE	MLCA029 3 Core Round Black Braid PVC

FIXING BRACKET MLROSE15 | Black



www.mullanlighting.com

Product Notes:

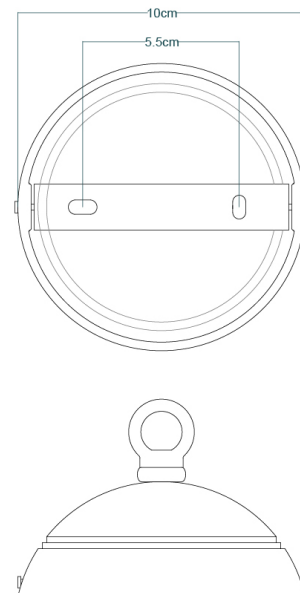
1) Lamps not included with light fixture. 2) All products are individually hand crafted, therefore may differ slightly within manufacturing tolerances. 3) Please refer to: <http://www.mullanlighting.com/terms> for full list of Terms & Conditions. 4) Cable/Chain can be shortened during installation. 5) Longer Cable/Chain available on request. 6) Additional colour finishes available on request. 7.) Dimensions do not include lamps. 8.) Products wired to UL standards will operate at 110/120v with the appropriate lampholders.





MATERIAL	Aluminium
HEIGHT	22.5cm 8.86"
WIDTH DIAMETER	53cm 20.87"
LENGTH PROJECTION	n/a
WEIGHT	1.9kg 4.19lb
LAMPHOLDER	E27
MAX WATTAGE	60W
VOLTAGE	220/240v
IP RATING	IP20
CLASS PROTECTION	1
SHADE	n/a
FLEX BAR CHAIN LENGTH	100cm 40"
CABLE TYPE	MLCA029 3 Core Round Black Braid PVC

FIXING BRACKET MLROSE15 | Bronze



www.mullanlighting.com

Product Notes:

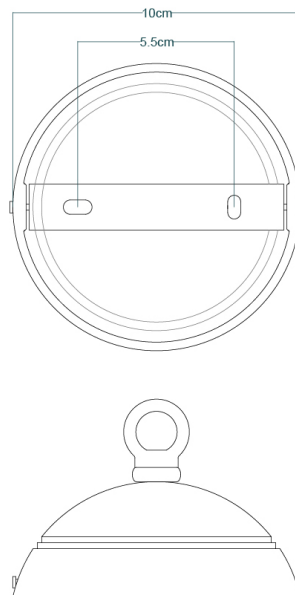
1) Lamps not included with light fixture. 2) All products are individually hand crafted, therefore may differ slightly within manufacturing tolerances. 3) Please refer to: <http://www.mullanlighting.com/terms> for full list of Terms & Conditions. 4) Cable/Chain can be shortened during installation. 5) Longer Cable/Chain available on request. 6) Additional colour finishes available on request. 7.) Dimensions do not include lamps. 8.) Products wired to UL standards will operate at 110/120v with the appropriate lampholders.





MATERIAL	Aluminium
HEIGHT	22.5cm 8.86"
WIDTH DIAMETER	53cm 20.87"
LENGTH PROJECTION	n/a
WEIGHT	1.9kg 4.19lb
LAMPHOLDER	E27
MAX WATTAGE	60W
VOLTAGE	220/240v
IP RATING	IP20
CLASS PROTECTION	1
SHADE	n/a
FLEX BAR CHAIN LENGTH	100cm 40"
CABLE TYPE	MLCA029 3 Core Round Black Braid PVC

FIXING BRACKET MLROSE15 | Sage Green



www.mullanlighting.com

Product Notes:

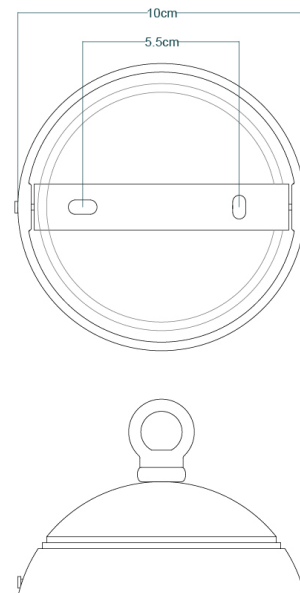
1) Lamps not included with light fixture. 2) All products are individually hand crafted, therefore may differ slightly within manufacturing tolerances. 3) Please refer to: <http://www.mullanlighting.com/terms> for full list of Terms & Conditions. 4) Cable/Chain can be shortened during installation. 5) Longer Cable/Chain available on request. 6) Additional colour finishes available on request. 7.) Dimensions do not include lamps. 8.) Products wired to UL standards will operate at 110/120v with the appropriate lampholders.





MATERIAL	Aluminium
HEIGHT	22.5cm 8.86"
WIDTH DIAMETER	53cm 20.87"
LENGTH PROJECTION	n/a
WEIGHT	1.9kg 4.19lb
LAMPHOLDER	E27
MAX WATTAGE	60W
VOLTAGE	220/240v
IP RATING	IP20
CLASS PROTECTION	1
SHADE	n/a
FLEX BAR CHAIN LENGTH	100cm 40"
CABLE TYPE	MLCA029 3 Core Round Black Braid PVC

FIXING BRACKET MLROSE15 | Grey



www.mullanlighting.com

Product Notes:

1) Lamps not included with light fixture. 2) All products are individually hand crafted, therefore may differ slightly within manufacturing tolerances. 3) Please refer to: <http://www.mullanlighting.com/terms> for full list of Terms & Conditions. 4) Cable/Chain can be shortened during installation. 5) Longer Cable/Chain available on request. 6) Additional colour finishes available on request. 7.) Dimensions do not include lamps. 8.) Products wired to UL standards will operate at 110/120v with the appropriate lampholders.



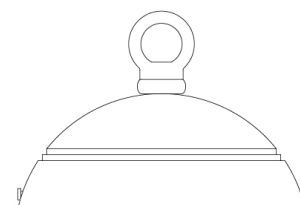
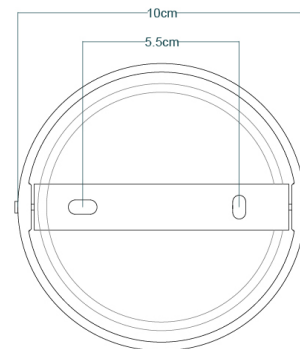
PRAGUE Pendant

MLP471PCMBK Matt Black



MATERIAL	Aluminium
HEIGHT	22.5cm 8.86"
WIDTH DIAMETER	53cm 20.87"
LENGTH PROJECTION	n/a
WEIGHT	1.9kg 4.19lb
LAMPHOLDER	E27
MAX WATTAGE	60W
VOLTAGE	220/240v
IP RATING	IP20
CLASS PROTECTION	1
SHADE	n/a
FLEX BAR CHAIN LENGTH	100cm 40"
CABLE TYPE	MLCA029 3 Core Round Black Braid PVC

FIXING BRACKET MLROSE15 | Matt Black



www.mullanlighting.com

Product Notes:

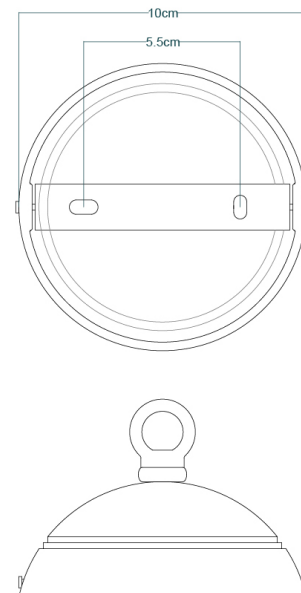
1) Lamps not included with light fixture. 2) All products are individually hand crafted, therefore may differ slightly within manufacturing tolerances. 3) Please refer to: <http://www.mullanlighting.com/terms> for full list of Terms & Conditions. 4) Cable/Chain can be shortened during installation. 5) Longer Cable/Chain available on request. 6) Additional colour finishes available on request. 7.) Dimensions do not include lamps. 8.) Products wired to UL standards will operate at 110/120v with the appropriate lampholders.





MATERIAL	Aluminium
HEIGHT	22.5cm 8.86"
WIDTH DIAMETER	53cm 20.87"
LENGTH PROJECTION	n/a
WEIGHT	1.9kg 4.19lb
LAMPHOLDER	E27
MAX WATTAGE	60W
VOLTAGE	220/240v
IP RATING	IP20
CLASS PROTECTION	1
SHADE	n/a
FLEX BAR CHAIN LENGTH	100cm 40"
CABLE TYPE	MLCA029 3 Core Round Black Braid PVC

FIXING BRACKET MLROSE15 | Orange



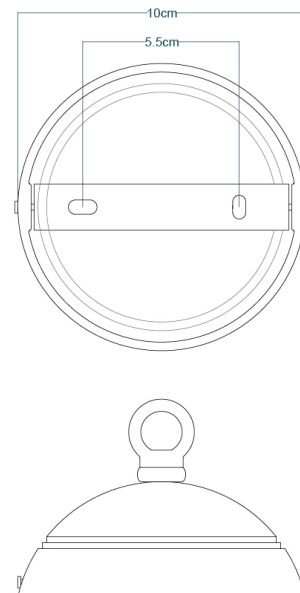
Product Notes:

1) Lamps not included with light fixture. 2) All products are individually hand crafted, therefore may differ slightly within manufacturing tolerances. 3) Please refer to: <http://www.mullanlighting.com/terms> for full list of Terms & Conditions. 4) Cable/Chain can be shortened during installation. 5) Longer Cable/Chain available on request. 6) Additional colour finishes available on request. 7.) Dimensions do not include lamps. 8.) Products wired to UL standards will operate at 110/120v with the appropriate lampholders.



MATERIAL	Aluminium
HEIGHT	22.5cm 8.86"
WIDTH DIAMETER	53cm 20.87"
LENGTH PROJECTION	n/a
WEIGHT	1.9kg 4.19lb
LAMPHOLDER	E27
MAX WATTAGE	60W
VOLTAGE	220/240v
IP RATING	IP20
CLASS PROTECTION	1
SHADE	n/a
FLEX BAR CHAIN LENGTH	100cm 40"
CABLE TYPE	MLCA029 3 Core Round Black Braid PVC

FIXING BRACKET MLROSE15 | Red



Product Notes:

1) Lamps not included with light fixture. 2) All products are individually hand crafted, therefore may differ slightly within manufacturing tolerances. 3) Please refer to: <http://www.mullanlighting.com/terms> for full list of Terms & Conditions. 4) Cable/Chain can be shortened during installation. 5) Longer Cable/Chain available on request. 6) Additional colour finishes available on request. 7.) Dimensions do not include lamps. 8.) Products wired to UL standards will operate at 110/120v with the appropriate lampholders.

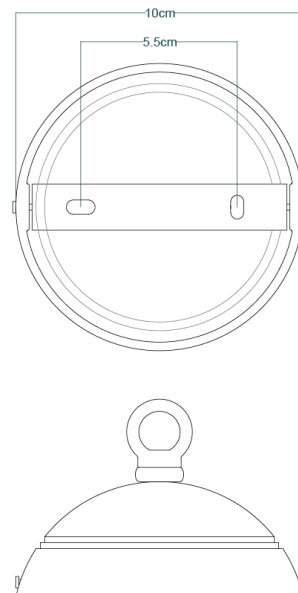
PRAGUE Pendant

MLP471PCRGR Racing Green



MATERIAL	Aluminium
HEIGHT	22.5cm 8.86"
WIDTH DIAMETER	53cm 20.87"
LENGTH PROJECTION	n/a
WEIGHT	1.9kg 4.19lb
LAMPHOLDER	E27
MAX WATTAGE	60W
VOLTAGE	220/240v
IP RATING	IP20
CLASS PROTECTION	1
SHADE	n/a
FLEX BAR CHAIN LENGTH	100cm 40"
CABLE TYPE	MLCA029 3 Core Round Black Braid PVC

FIXING BRACKET MLROSE15 | Racing Green



www.mullanlighting.com

Product Notes:

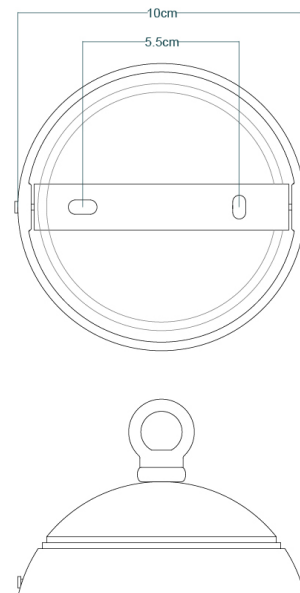
1) Lamps not included with light fixture. 2) All products are individually hand crafted, therefore may differ slightly within manufacturing tolerances. 3) Please refer to: <http://www.mullanlighting.com/terms> for full list of Terms & Conditions. 4) Cable/Chain can be shortened during installation. 5) Longer Cable/Chain available on request. 6) Additional colour finishes available on request. 7.) Dimensions do not include lamps. 8.) Products wired to UL standards will operate at 110/120v with the appropriate lampholders.





MATERIAL	Aluminium
HEIGHT	22.5cm 8.86"
WIDTH DIAMETER	53cm 20.87"
LENGTH PROJECTION	n/a
WEIGHT	1.9kg 4.19lb
LAMPHOLDER	E27
MAX WATTAGE	60W
VOLTAGE	220/240v
IP RATING	IP20
CLASS PROTECTION	1
SHADE	n/a
FLEX BAR CHAIN LENGTH	100cm 40"
CABLE TYPE	MLCA029 3 Core Round Black Braid PVC

FIXING BRACKET MLROSE15 | White



www.mullanlighting.com

Product Notes:

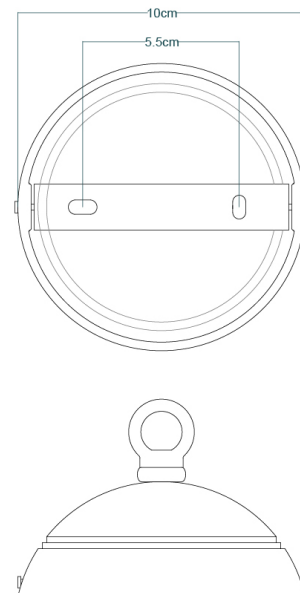
1) Lamps not included with light fixture. 2) All products are individually hand crafted, therefore may differ slightly within manufacturing tolerances. 3) Please refer to: <http://www.mullanlighting.com/terms> for full list of Terms & Conditions. 4) Cable/Chain can be shortened during installation. 5) Longer Cable/Chain available on request. 6) Additional colour finishes available on request. 7.) Dimensions do not include lamps. 8.) Products wired to UL standards will operate at 110/120v with the appropriate lampholders.





MATERIAL	Aluminium
HEIGHT	22.5cm 8.86"
WIDTH DIAMETER	53cm 20.87"
LENGTH PROJECTION	n/a
WEIGHT	1.9kg 4.19lb
LAMPHOLDER	E27
MAX WATTAGE	60W
VOLTAGE	220/240v
IP RATING	IP20
CLASS PROTECTION	1
SHADE	n/a
FLEX BAR CHAIN LENGTH	100cm 40"
CABLE TYPE	MLCA029 3 Core Round Black Braid PVC

FIXING BRACKET MLROSE15 | Yellow



www.mullanlighting.com

Product Notes:

1) Lamps not included with light fixture. 2) All products are individually hand crafted, therefore may differ slightly within manufacturing tolerances. 3) Please refer to: <http://www.mullanlighting.com/terms> for full list of Terms & Conditions. 4) Cable/Chain can be shortened during installation. 5) Longer Cable/Chain available on request. 6) Additional colour finishes available on request. 7.) Dimensions do not include lamps. 8.) Products wired to UL standards will operate at 110/120v with the appropriate lampholders.

