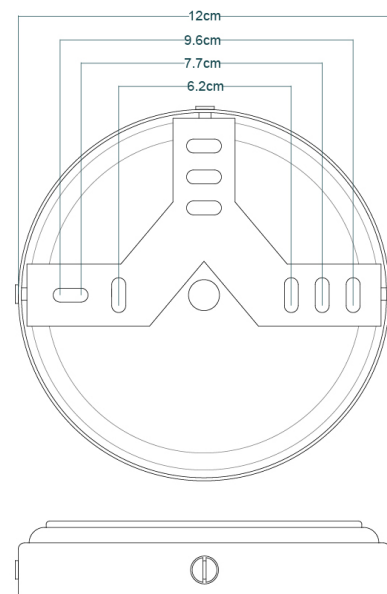




MATERIAL	Brass   Aluminium   Glass
HEIGHT	32cm   12.6"
WIDTH   DIAMETER	8cm   3.15"
LENGTH   PROJECTION	31cm   12.2"
WEIGHT	0.77kg   1.7lb
LAMPHOLDER	E27
MAX WATTAGE	6.5W
VOLTAGE	220/240v
IP RATING	IP65
CLASS PROTECTION	2
SHADE	GLWP01
FLEX   BAR   CHAIN LENGT	n/a
CABLE TYPE	

FIXING BRACKET MLWB09 | Antique Brass



Product Notes:

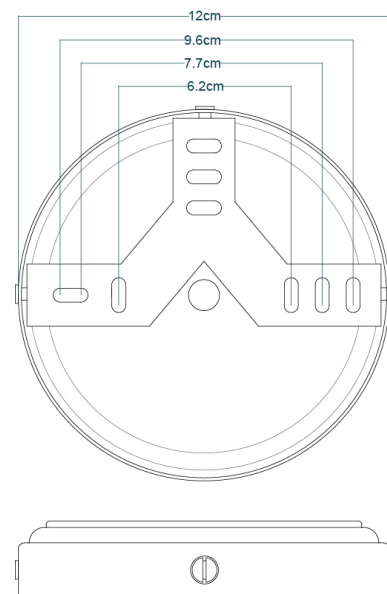
1) Lamps not included with light fixture. 2) All products are individually hand crafted, therefore may differ slightly within manufacturing tolerances. 3) Please refer to: <http://www.mullanlighting.com/terms> for full list of Terms & Conditions. 4) Cable/Chain can be shortened during installation. 5) Longer Cable/Chain available on request. 6) Additional colour finishes available on request. 7.) Dimensions do not include lamps. 8.) Products wired to UL standards will operate at 110/120v with the appropriate lampholders.





MATERIAL	Brass   Aluminium   Glass
HEIGHT	32cm   12.6"
WIDTH   DIAMETER	8cm   3.15"
LENGTH   PROJECTION	31cm   12.2"
WEIGHT	0.77kg   1.7lb
LAMPHOLDER	E27
MAX WATTAGE	6.5W
VOLTAGE	220/240v
IP RATING	IP65
CLASS PROTECTION	2
SHADE	GLWP01
FLEX   BAR   CHAIN LENGT	n/a
CABLE TYPE	

FIXING BRACKET MLWB09 | Antique Silver



Product Notes:

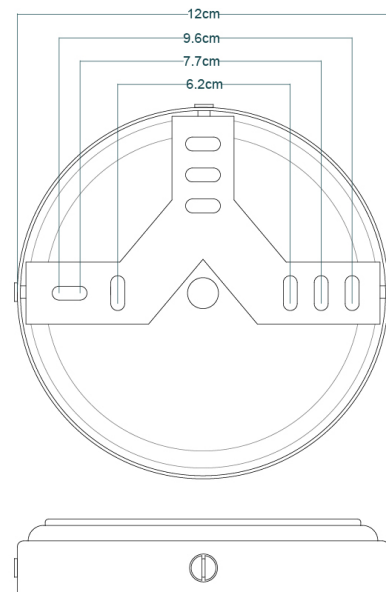
1) Lamps not included with light fixture. 2) All products are individually hand crafted, therefore may differ slightly within manufacturing tolerances. 3) Please refer to: <http://www.mullanlighting.com/terms> for full list of Terms & Conditions. 4) Cable/Chain can be shortened during installation. 5) Longer Cable/Chain available on request. 6) Additional colour finishes available on request. 7.) Dimensions do not include lamps. 8.) Products wired to UL standards will operate at 110/120v with the appropriate lampholders.





MATERIAL	Brass   Aluminium   Glass
HEIGHT	32cm   12.6"
WIDTH   DIAMETER	8cm   3.15"
LENGTH   PROJECTION	31cm   12.2"
WEIGHT	0.77kg   1.7lb
LAMPHOLDER	E27
MAX WATTAGE	6.5W
VOLTAGE	220/240v
IP RATING	IP65
CLASS PROTECTION	2
SHADE	GLWP01
FLEX   BAR   CHAIN LENGT	n/a
CABLE TYPE	

FIXING BRACKET MLWB09 | Natural Brass



Product Notes:

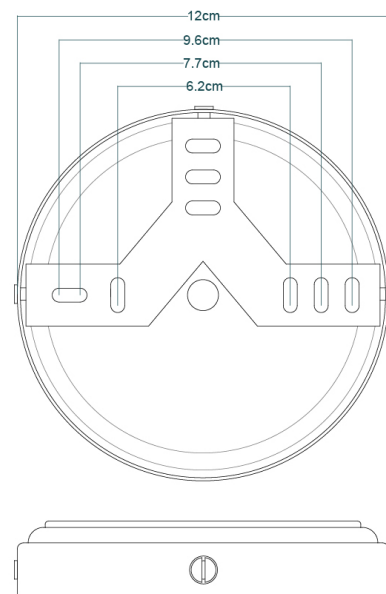
1) Lamps not included with light fixture. 2) All products are individually hand crafted, therefore may differ slightly within manufacturing tolerances. 3) Please refer to: <http://www.mullanlighting.com/terms> for full list of Terms & Conditions. 4) Cable/Chain can be shortened during installation. 5) Longer Cable/Chain available on request. 6) Additional colour finishes available on request. 7.) Dimensions do not include lamps. 8.) Products wired to UL standards will operate at 110/120v with the appropriate lampholders.





MATERIAL	Brass   Aluminium   Glass
HEIGHT	32cm   12.6"
WIDTH   DIAMETER	8cm   3.15"
LENGTH   PROJECTION	31cm   12.2"
WEIGHT	0.77kg   1.7lb
LAMPHOLDER	E27
MAX WATTAGE	6.5W
VOLTAGE	220/240v
IP RATING	IP65
CLASS PROTECTION	2
SHADE	GLWP01
FLEX   BAR   CHAIN LENGT	n/a
CABLE TYPE	

FIXING BRACKET MLWB09 | Matt Black



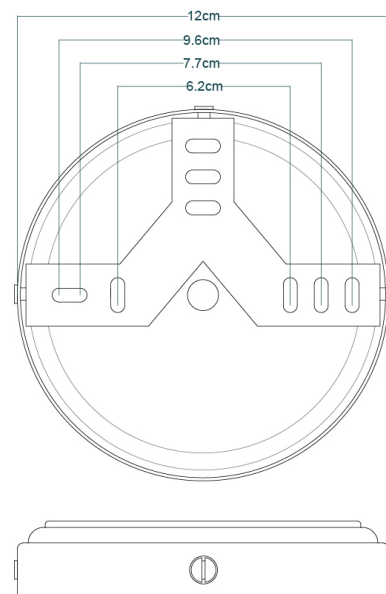
Product Notes:  
 1) Lamps not included with light fixture. 2) All products are individually hand crafted, therefore may differ slightly within manufacturing tolerances. 3) Please refer to: <http://www.mullanlighting.com/terms> for full list of Terms & Conditions. 4) Cable/Chain can be shortened during installation. 5) Longer Cable/Chain available on request. 6) Additional colour finishes available on request. 7.) Dimensions do not include lamps. 8.) Products wired to UL standards will operate at 110/120v with the appropriate lampholders.





MATERIAL	Brass   Aluminium   Glass
HEIGHT	32cm   12.6"
WIDTH   DIAMETER	8cm   3.15"
LENGTH   PROJECTION	31cm   12.2"
WEIGHT	0.77kg   1.7lb
LAMPHOLDER	E27
MAX WATTAGE	6.5W
VOLTAGE	220/240v
IP RATING	IP65
CLASS PROTECTION	2
SHADE	GLWP01
FLEX   BAR   CHAIN LENGT	n/a
CABLE TYPE	

FIXING BRACKET MLWB09 | White



Product Notes:

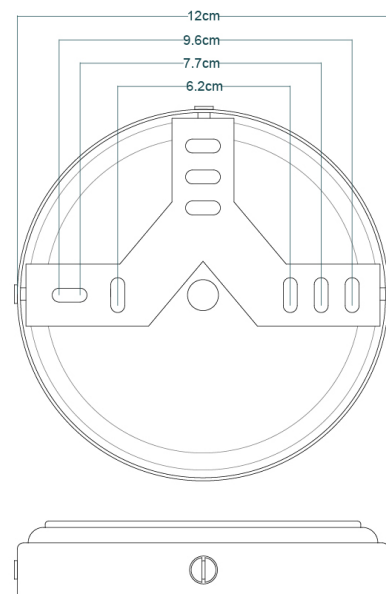
1) Lamps not included with light fixture. 2) All products are individually hand crafted, therefore may differ slightly within manufacturing tolerances. 3) Please refer to: <http://www.mullanlighting.com/terms> for full list of Terms & Conditions. 4) Cable/Chain can be shortened during installation. 5) Longer Cable/Chain available on request. 6) Additional colour finishes available on request. 7.) Dimensions do not include lamps. 8.) Products wired to UL standards will operate at 110/120v with the appropriate lampholders.





MATERIAL	Brass   Aluminium   Glass
HEIGHT	32cm   12.6"
WIDTH   DIAMETER	8cm   3.15"
LENGTH   PROJECTION	31cm   12.2"
WEIGHT	0.77kg   1.7lb
LAMPHOLDER	E27
MAX WATTAGE	6.5W
VOLTAGE	220/240v
IP RATING	IP65
CLASS PROTECTION	2
SHADE	GLWP01
FLEX   BAR   CHAIN LENGT	n/a
CABLE TYPE	

FIXING BRACKET MLWB09 | Polished Brass



Product Notes:

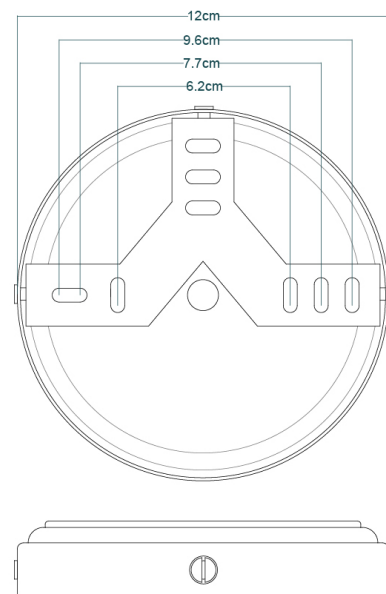
1) Lamps not included with light fixture. 2) All products are individually hand crafted, therefore may differ slightly within manufacturing tolerances. 3) Please refer to: <http://www.mullanlighting.com/terms> for full list of Terms & Conditions. 4) Cable/Chain can be shortened during installation. 5) Longer Cable/Chain available on request. 6) Additional colour finishes available on request. 7.) Dimensions do not include lamps. 8.) Products wired to UL standards will operate at 110/120v with the appropriate lampholders.





MATERIAL	Brass   Aluminium   Glass
HEIGHT	32cm   12.6"
WIDTH   DIAMETER	8cm   3.15"
LENGTH   PROJECTION	31cm   12.2"
WEIGHT	0.77kg   1.7lb
LAMPHOLDER	E27
MAX WATTAGE	6.5W
VOLTAGE	220/240v
IP RATING	IP65
CLASS PROTECTION	2
SHADE	GLWP01
FLEX   BAR   CHAIN LENGT	n/a
CABLE TYPE	

FIXING BRACKET MLWB09 | Satin Brass



Product Notes:

1) Lamps not included with light fixture. 2) All products are individually hand crafted, therefore may differ slightly within manufacturing tolerances. 3) Please refer to: <http://www.mullanlighting.com/terms> for full list of Terms & Conditions. 4) Cable/Chain can be shortened during installation. 5) Longer Cable/Chain available on request. 6) Additional colour finishes available on request. 7.) Dimensions do not include lamps. 8.) Products wired to UL standards will operate at 110/120v with the appropriate lampholders.

